

# 38504-TE

## Voltage & Current Reference/Calibrator for DC Meters

Compact reference Source for DC calibration of 3-1/2 Digit Multimeters, sensors. Pre-Assembled & Factory calibrated with plastic case. Power can be supplied by almost any 5VDC @ >2A USB Charger.  
 5 Jumper Selectable Output Voltages  
 14 Jumper Selectable Output Currents.

**Power:** 5VDC @ >2A

**DC Output Voltages:** 1.24V, 2.5V, 5V, 7.5V and 10V

Effectively can measure the accuracy of the 2V range of a multimeter.

**DC Output Currents:** 5uA, 10uA, 25uA, 50uA, 100uA, 250uA, 500uA, 1mA, 2.5mA, 5mA, 10mA, 25mA, 50mA & 100mA.

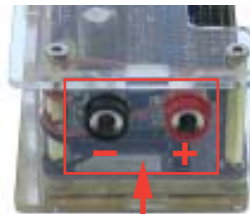
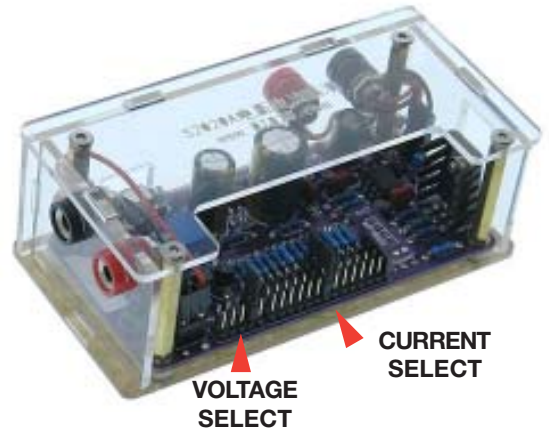
**Connections:**

Power: USB Type Micro B Jack

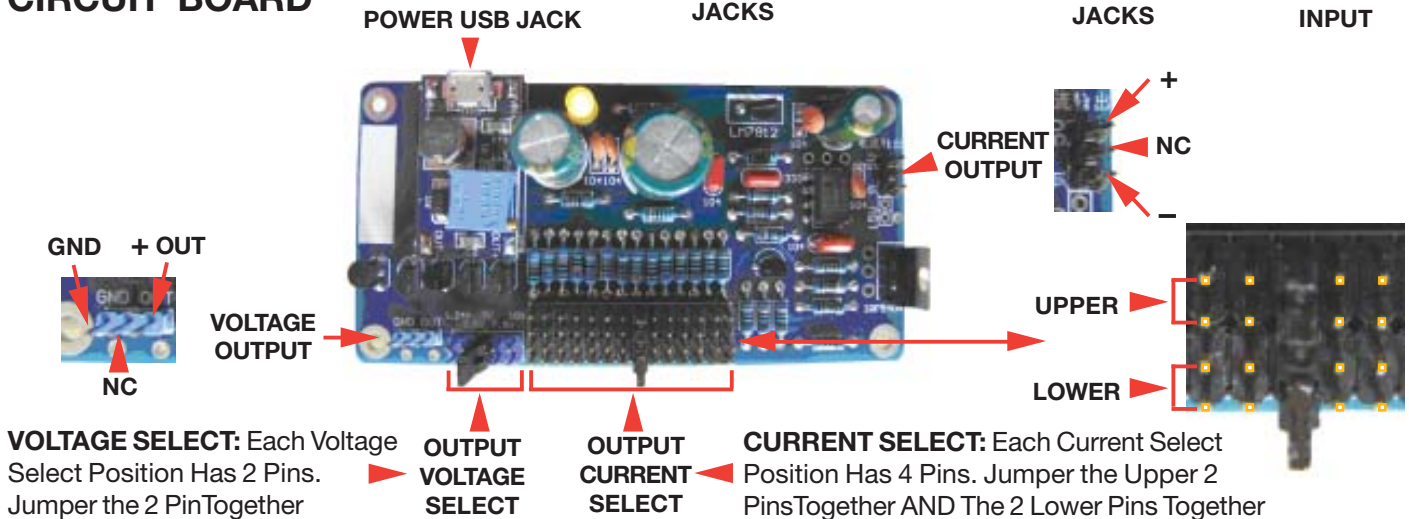
Voltage/Current: Banana Jacks

**L:** 115mm (4-1/2") **W:** 58mm (2-1/2")

**H:** 42mm (1-1/8") **WT:** .3



**CIRCUIT BOARD**



Information including Drawings, Schematics, Links and Code (Software) Supplied or Referenced in this Document is supplied by MPJA inc. as a service to our customers and accuracy or usefulness is not guaranteed nor is it an Endorsement of any particular part, supplier or manufacturer. Use of information and suitability for any application is at users own discretion and user assumes all risk.

Information Subject to Change Without Notice  
 All rights are retained by the respective Owners/Author(s)

**MARLIN P. JONES & ASSOC., INC.**

8380 Resource Rd. West Palm Beach, FL 33404  
 800-652-6733 FAX 561-844-8764  
 WWW.MPJA.COM

